

AIR CONTROL DAMPER

**MODEL AC 10 PARALLEL BLADE
MODEL AC 20 OPPOSED BLADE**

STANDARD CONSTRUCTION

FRAME:

16 GA. GALVANIZED STEEL
INTERLOCKING STACKED HAT SECTION
(*CHANNEL FRAME SHOWN)

BLADES:

16GA GALVANIZED VEE FORMED

BEARINGS:

NON-METALLIC CELCON

AXLES:

1/2 SQUARE ZINC PLATED STEEL STUD

LINKAGE:

CONCEALED IN FRAME
10 GA. ZINC PLATED STEEL

FINISH:

MILL GALVANIZED

STANDARD 2-1/2" EXTENDED SHAFT:
FIXED 1/2 INCH DIAMETER ZINC PLATED STEEL
SHAFT EXTENDING 2 1/2 INCHES BEYOND
THE AIR CONTROL DAMPER FRAME.

OPTIONS:

NEOPRENE BLADE SEALS
STAINLESS STEEL JAMB SEALS
BRONZE BEARINGS

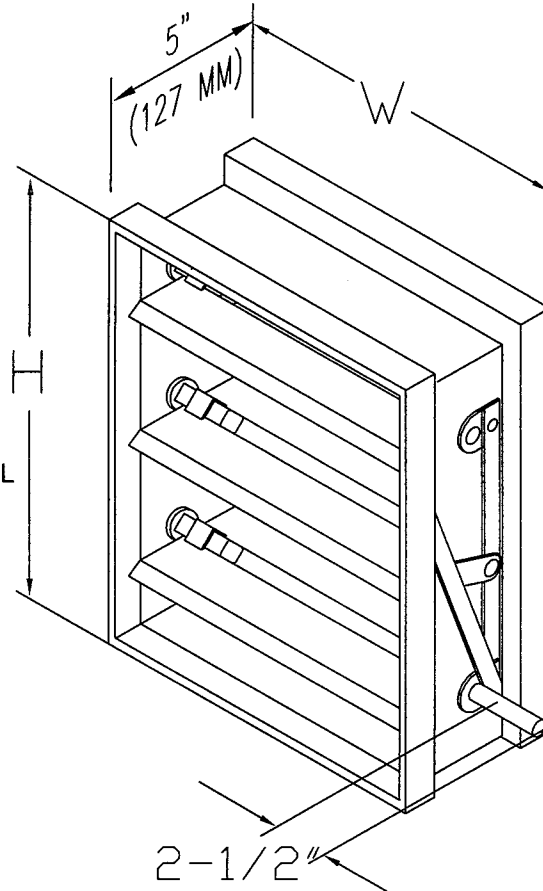
*FLAT HEAD & SILL FRAME CONSTRUCTION
FOR MAX. AIR FLOW SIZES 4"H TO 8"H
STAINLESS STEEL CONSTRUCTION

SLEEVES: REFER TO THE ACD SLEEVE SPECS.
ACTUATORS: MANUAL, ELECTRIC, PNEUMATIC.

**OPTIONAL REMOVABLE 8" EXTENDED SHAFT:
1/2 DIA. SHAFT EXTENDING 7 1/2 INCHES
BEYOND THE AIR CONTROL FRAME.

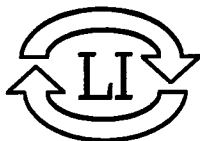
REQUIRES 1" OR 2" BEARING BRACKET.

DAMPERS SUPPLIED 1/4" LESS THAN ORDER WIDTH AND HEIGHT UNLESS SPECIFIED "ACTUAL SIZE"



SINGLE SECTION SIZE AVAILABILITY			MULTIPLE SECTIONS	JOB NAME: _____
MINIMUM	WIDTH X HEIGHT			
AC10	6"	6"	UNLIMITED	LOCATION: _____
AC20	6"	10-1/4"		ARCHITECT: _____
MAXIMUM	60"	60"		ENGINEER: _____
				CONTRACTOR: _____

10368-REV-A-1



LLOYD INDUSTRIES INC.

231 COMMERCE DRIVE
MONTGOMERYVILLE, PA. 18936
TEL: 215-412-4445
FAX: 215-412-4409
EMAIL: LLOYDIND@FIREDAMPER.COM

5858 BROADWAY AVE.
JACKSONVILLE, FL. 32254
TEL: 904-378-8440
FAX: 904-378-8441
EMAIL: LLOYDINDI@BELLSOUTH.NET

WEB SITE: FIREDAMPER.COM