

# AIR CONTROL DAMPER

## STANDARD CONSTRUCTION

### FRAME:

6" DEEP 22/20 GA. GALVANIZED STEEL  
ROLL FORMED AND WELDED  
DOUBLE BEADED FOR RIGIDITY  
AND SPIRAL DUCT CONNECTIONS

### BLADES:

SINGLE BLADE  
16 GA GALVANIZED  
SINGLE "V" FORMED STIFFENER

### SEALS:

LOW LEAKAGE CLOSED CELL NEOPRENE

### BEARINGS:

NON-METALLIC CELCON

### AXLES:

1/2 SQUARE ZINC PLATED STEEL STUD

### FINISH:

MILL GALVANIZED

### STANDARD EXTENDED SHAFT:

1/2 INCH SQUARE X 3" LONG ZINC PLATED  
STEEL SHAFT EXTENDING 1 INCH  
BEYOND THE AIR CONTROL FRAME.

### OPERATOR:

MANUAL QUADRANT FACTORY INSTALLED  
FLUSH MOUNTED AS STANDARD

### SIZING:

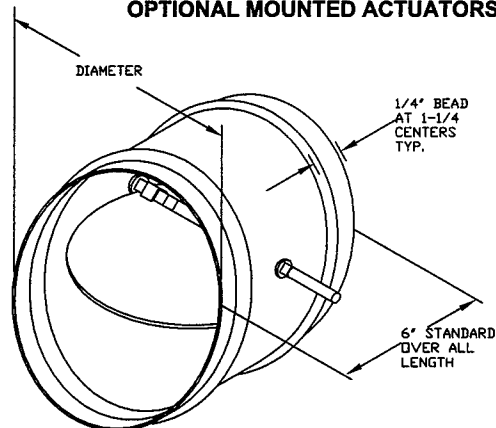
DAMPER SUPPLIED:  
ORDER DIAMETER LESS 1/8"

SINGLE SECTION SIZE AVAILABILITY	
	DIAMETER
MINIMUM	4"
MAXIMUM	24"

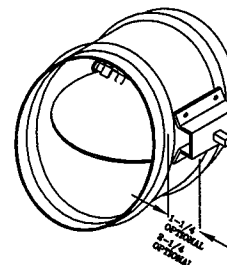
## MODEL AC 30

### SINGLE BLADE SPIRAL DUCT ROUND BALANCING DAMPER

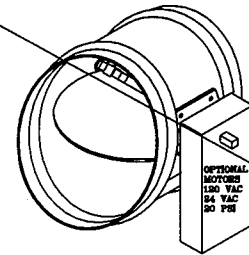
WITH FLUSH MOUNT MANUAL OPERATING QUADRANT  
OPTIONAL EXTENDED MOUNT QUADRANT  
OPTIONAL MOUNTED ACTUATORS



STANDARD



EXTENDED MOUNT



MOTORIZED

### OPTIONS:

1-1/4" QUADRANT STANDOFF WITH 6" SHAFT  
2-1/4" QUADRANT STANDOFF WITH 6" SHAFT  
MOTORIZED: 120 VAC, 24 VAC AND 20 PSI  
WITH 1-1/4" OR 2-1/4" STANDOFF, AND  
8" SHAFT.  
BRONZE BEARINGS  
STAINLESS STEEL CONSTRUCTION

JOB NAME: \_\_\_\_\_

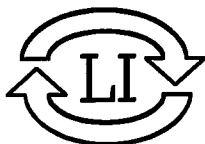
LOCATION: \_\_\_\_\_

ARCHITECT: \_\_\_\_\_

ENGINEER: \_\_\_\_\_

CONTRACTOR: \_\_\_\_\_

10371-REV-A



## LLOYD INDUSTRIES INC.

231 COMMERCE DRIVE  
MONTGOMERYVILLE, PA. 18936  
TEL: 215-412-4445  
FAX: 215-412-4409  
EMAIL: LLOYDIND@FIREDAMPER.COM

5858 BROADWAY AVE.  
JACKSONVILLE, FL. 32254  
TEL: 904-378-8440  
FAX: 904-378-8441  
EMAIL: LLOYDINDI@BELLSOUTH.NET

WEB SITE: FIREDAMPER.COM