

BACKDRAFT DAMPER

STANDARD CONSTRUCTION

FRAME

6063T5 EXTRUDED ALUMINUM
MINIMUM WALL THICKNESS 16GA.

BLADES

6063T5 EXTRUDED ALUMINUM 16GA.
COUNTER BALANCE ROD HOLDER
BUILT INTO REAR OF BLADES

VINYL BLADE CUSHIONING SEALS

BEARINGS SUPER TOUGH NYLON

AXLES CAST ALUMINUM

LINKAGE

16GA X 5/8" WIDE ALUMINUM
CONCEALED IN THE CHANNEL FRAME

MILL FINISH

MAXIMUM SIZE

SINGLE SECTION 36" W X 60" H
MULTIPLE SECTION UNLIMITED

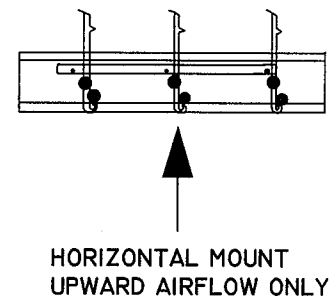
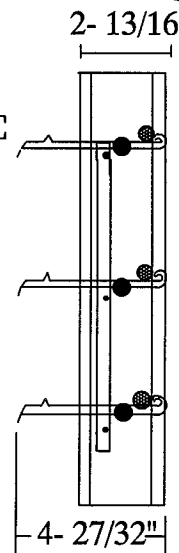
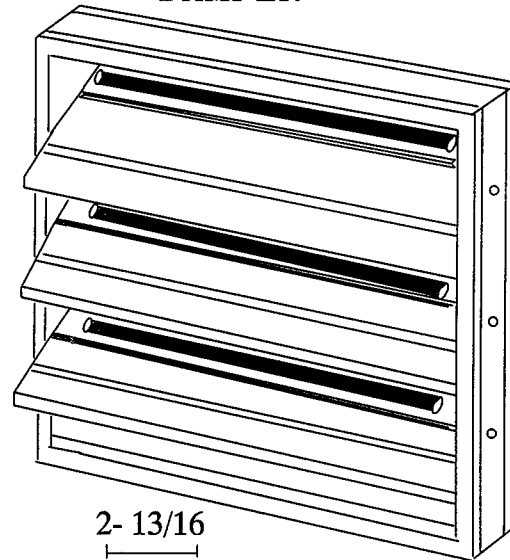
MINIMUM SIZE 6" X 6"

DAMPER IS 1/4" LESS THAN ORDERED DIMENSIONS
UNLESS REQUESTED OTHERWISE

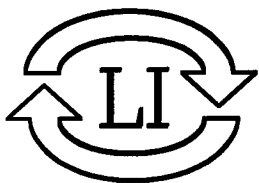
NOTE

WHEN USED IN FAN DISCHARGE
APPLICATIONS, DAMPER SHOULD
BE AT LEAST HALF THE FAN DIAMETER
DISTANCE FROM FAN DISCHARGE

LBD-1
BACKDRAFT
DAMPER



10330-REV-A



LLOYD INDUSTRIES INC.

231 COMMERCE DRIVE
MONTGOMERYVILLE, PA. 18936

TEL: 215-412-4445

FAX: 215-412-4409

EMAIL: LLOYDIND@FIREDAMPER.COM

5858 BROADWAY AVE.

JACKSONVILLE, FL. 32254

TEL: 904-378-8440

FAX: 904-378-8441

EMAIL: LLOYDINDI@BELLSOUTH.NET

WEB SITE: FIREDAMPER.COM