

SMOKE DAMPER

MODEL SD-333-3-PB

(LEAKAGE)

CLASS 3 (LEAKAGE)
 VERTICAL AND HORIZONTAL (INSTALLATIONS)
 250°F (TEMPERATURE RATING)
 PARALLEL BLADE (OPERATION)
 TO 4.0" W.G. (MAXIMUM STATIC PRESSURE)
 TO 2400 FPM (MAXIMUM VELOCITY)
 POWER OPEN/SPRING CLOSURE

STANDARD CONSTRUCTION

FRAME:

16 GAUGE GALVANIZED STEEL
 INTERLOCKING STACKED HAT SECTION
 CHANNEL FRAME CONSTRUCTION

BLADES:

16 GAUGE GALVANIZED 3"V" FORMED

BEARINGS:

SINTERED BRONZE, OIL IMPREGNATED

AXLES:

1/2 SQUARE ZINC PLATED STEEL STUDS

LINKAGE:

.12 X .50 ZINC PLATED STEEL
 CONCEALED IN THE CHANNEL FRAME

FINISH:

MILL GALVANIZED

BLADE SEALS:

60-65 DUROMETER SILICONE RUBBER WITH
 LAMINATED ACRYLIC ADHESIVE PERMANENTLY
 BONDED TO BLADE EDGES.

JAMB SEALS:

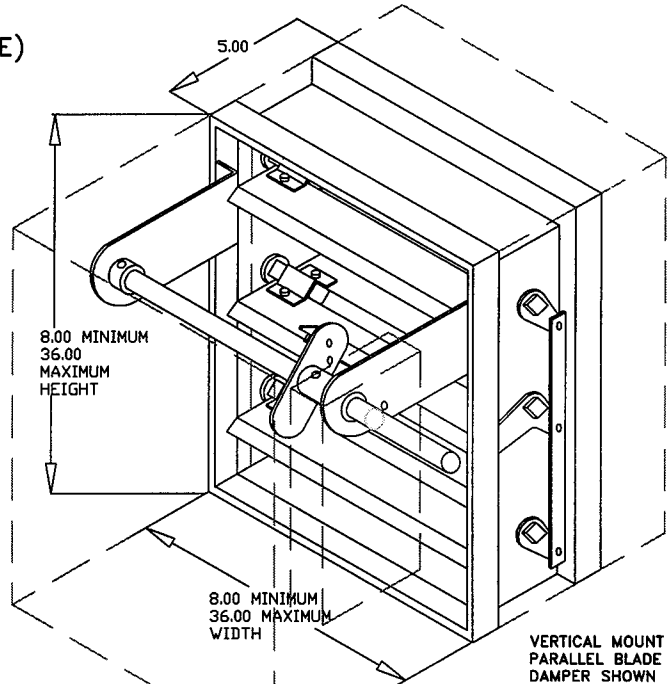
CORROSION RESISTANT STAINLESS STEEL

JACKSHAFT:

1/2" DIAMETER ZINC PLATED STEEL WITH
 JACKSHAFT CONNECTOR COUPLING

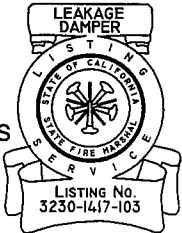
CAULKING:

UL APPROVED SILICONE SEALANTS:
 DOW CORNING RTV-732, 999A, GE-1200.



PRODUCT LABELS OF CERTIFICATION

ACCEPTED FOR USE
 CITY OF NEW YORK
 DEPARTMENT OF BUILDINGS
 MEA 215-99-E



CONFORMING TO UL555S
 PERFORMANCE TESTING
 BY: AMCA INTERNATIONAL IN
 ACCORDANCE TO AMCA STD 500.

OPTIONS:

SLEEVES: RECTANGLE, ROUND, OVAL, AND SPECIALS
 ACTUATOR TYPES: ELECTRIC & PNEUMATIC.

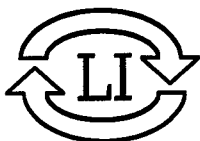
ACTUATOR BRANDS: HONEYWELL, SIEMENS, BELIMO

ACTUATOR MOUNTING: EXTERNAL AND INTERNAL

OPTIONAL MATERIAL: STAINLESS STEEL CONSTRUCTION

| SINGLE SECTION SIZE AVAILABILITY | | | JOB NAME: _____ |
|----------------------------------|----------------|-----|-------------------|
| | WIDTH X HEIGHT | | |
| MINIMUM | 8" | 8" | LOCATION: _____ |
| MAXIMUM | 36" | 36" | ARCHITECT: _____ |
| | | | ENGINEER: _____ |
| | | | CONTRACTOR: _____ |

10244-REV-C



LLOYD INDUSTRIES INC.

231 COMMERCE DRIVE
 MONTGOMERYVILLE, PA. 18936
 TEL: 215-412-4445
 FAX: 215-412-4409
 EMAIL: LLOYDIND@FIREDAMPER.COM

5858 BROADWAY AVE.
 JACKSONVILLE, FL. 32254
 TEL: 904-378-8440
 FAX: 904-378-8441
 EMAIL: LLOYDINDI@BELLSOUTH.NET

WEB SITE: FIREDAMPER.COM